

Battery Free UPS for Industrial Power Conditioning

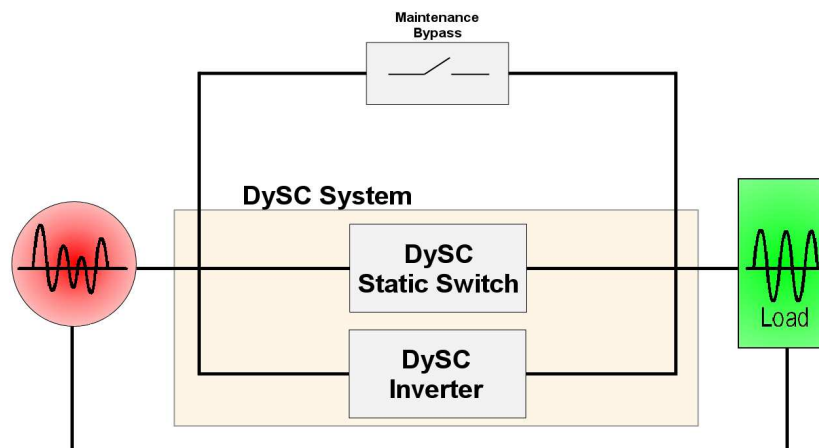
Dynamic Sag Corrector

- ◆ Eliminates up to 70% of all Unscheduled Downtime
- ◆ Optimized for Industrial Applications
- ◆ Corrects for Voltage Sags, Transients and Momentary Outages
- ◆ Exceeds Semi F47 Standards
- ◆ No Batteries, virtually Maintenance Free
- ◆ Compact Panel Mount Design makes Retrofit Installs Easy
- ◆ >99% Energy Efficient
- ◆ ~2ms Response Time
- ◆ Protects Sensitive Equipment with a True Sine Wave Output
- ◆ Optional Extended Ride Thru



MEGA DySC

Theory of Operation

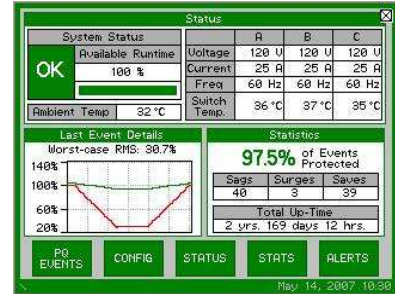


DySC... the Cost Effective and Environmentally Responsible alternative to Batteries, Flywheels and CVTs!



Touch Screen Operator Station

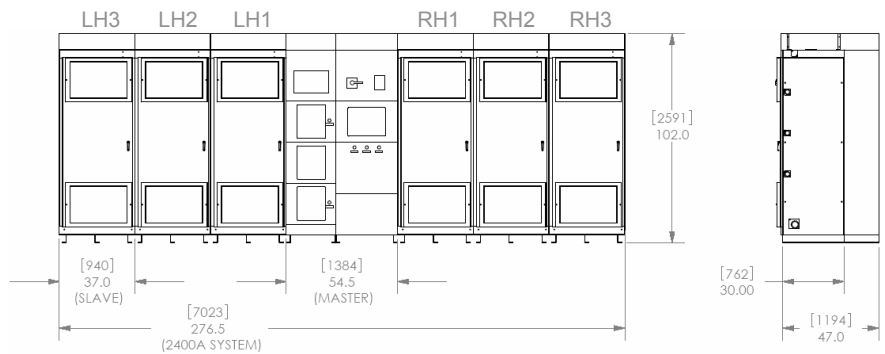
- ◆ Time Stamped Reporting
- ◆ Event Tracking "Histogram"
- ◆ Graphic PQ Displays
- ◆ Statistical Profiling
- ◆ Voltage and Current Tracking
- ◆ Internal "On-Line" Diagnostics
- ◆ RS 232 Serial Output
- ◆ Large 15" Diagonal Viewing Area



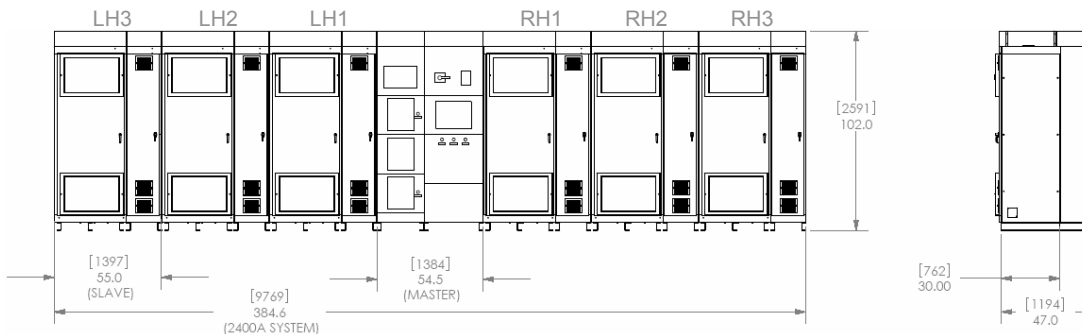
Dimensions

	LH3	LH2	LH1	RH1	RH2	RH3
800A			X	X		
1200A		X	X	X		
1600A		X	X	X	X	
2000A	X	X	X	X	X	
2400A	X	X	X	X	X	X

Standard Runtime (SR) DySC



Extended Runtime (ER) DySC



Catalog Number

DS3 H2000C

800A, 1200A, 1600A, 2000A, 2400A

- S Standard Runtime
- E Extended Runtime
- 3 3 Phase, 3 Wire
- 4 3 Phase, 4 Wire

200V, 208V, 240V, 380V, 400V, 415V, 440V, 480V, 600V

166kVA - 2MVA, 50/60Hz Auto-sensing

Weights

- DS30800A...SH = 6,072lbs/2,754kg
- DS30800A...EH = 7,800lbs/3,538kg
- DS31200A...SH = 7,758lbs/3,519kg
- DS31200A...EH = 10,350lbs/4,695kg
- DS31600A...SH = 9,844lbs/4,465kg
- DS31600A...EH = 13,300lbs/6,033kg
- DS32000A...SH = 11,930lbs/5,411kg
- DS32000A...EH = 16,250lbs/7,366kg
- DS32400A...SH = 13,616lbs/6,176kg
- DS32400A...EH = 18,800lbs/8,528kg

SoftSwitching Technologies

Corporate Office
8155 Forsythia Street
Middleton, WI 53562

SAGS HAPPEN

Tel: 608.662.7200
Fax: 608.662.7300
www.softswitch.com